

WibuKey ASIC



Article-No:

1 5 0 4 - 0 3 - 5 0 0
1 5 0 4 - 0 3 - 6 0 0

RoHS compliant
WEEE-Reg-No:
DE 90465365



Description

The WibuKey ASIC represents the heart of the WibuKey protection hardware for connection to the USB port.

It contains Infineon SLM-97CUSIFX1M00 secure memory smart card chip with a maximum of 16 kbyte available memory.

The communication meets USB specifications. All data communication is realized via endpoint 0 control transfers with full speed (12 MBit).

Technical Specifications

- Other license parameter: up to 10 million updates to one license
- Power supply: 3.3V VCC, 10mA @idle / 21mA @max
- Temperature: -40 °C ...+105 °C operating, non-condensing
- MTBF (Mean Time Between Failures): > 3 Million hours
- Dimensions: VQFN-32 package, 5 mm x 5 mm x 0.9 mm

WibuKey ASIC WibuBox/U+ Configuration 1504-03-500

WKASIC WibuBox/U+ 1504-03-500 with full WibuKey functionality.

- Interface: USB
- Encryption: WibuKey algorithm 1, 2 or 4 non-volatile standard entries: 10 entries

WibuKey ASIC WibuBox/RU+ Configuration 1504-03-600

WKASIC WibuBox/U+ 1504-03-500 with full WibuKey functionality.

- Interface: USB
- Encryption: WibuKey algorithm 3 or 5 non-volatile standard entries: 1 entry

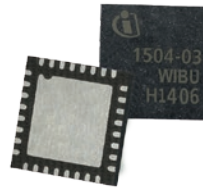
PIN Definition and Function

PIN Definition and Function	Package VQFN-32
VSS (GND)	17
DM (USB-)	20
DP (USB+)	5
VCC (Supply Voltage)	8
Pad (GND)	0

All dimensions in millimeter. Subject to change without notice.

WIBU-SYSTEMS AG
Rueppurrer Strasse 52-54
D-76137 Karlsruhe
Tel: +49-721-93172-0
Fax: +49-721-93172-22
info@wibu.com
www.wibu.com

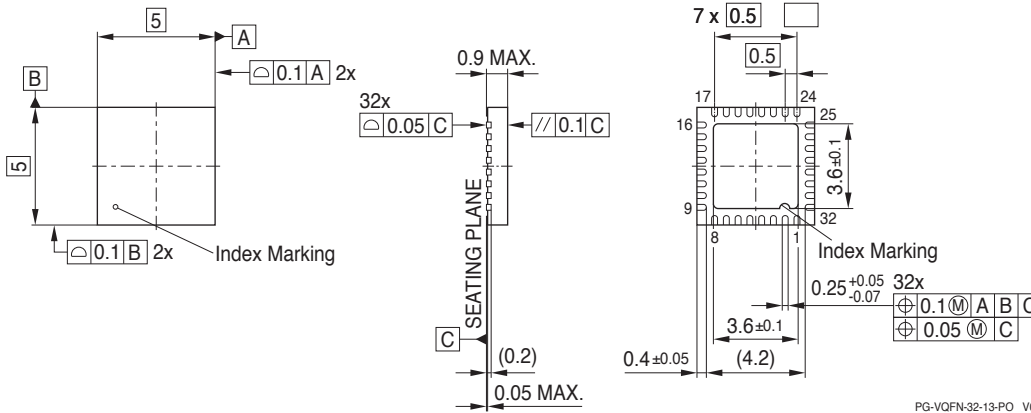
WibuKey ASIC



Article-No:

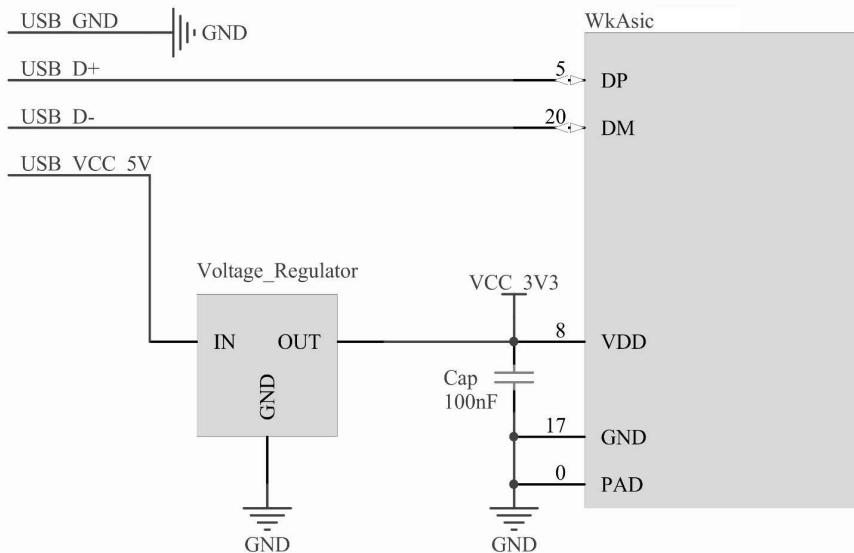
1 5 0 4 - 0 3 - 5 0 0
1 5 0 4 - 0 3 - 6 0 0

Technical Drawing



Schematic

Only for reference and evaluation. All other pins need to be left open.



All dimensions in millimeter. Subject to change without notice.

WIBU-SYSTEMS AG
Rueppurrer Strasse 52-54
D-76137 Karlsruhe
Tel: +49-721-93172-0
Fax: +49-721-93172-22
info@wibu.com
www.wibu.com