

CmStick/BMC



Article-No:

1011-03-56x

Description

CmStick/BMC represents the heart of the CodeMeter Digital Rights Management system in a USB device form factor with a noble and robust metal case. It contains a smart card chip with a secure memory of about 328 kbyte, which is available for storing thousands of licenses; the additional flash memory, coming in different capacities, can be configured as a removable disk or a private, encrypted disk or a CD-ROM partition or a secure, encrypted disk with CodeMeter API read and write control. Combinations of the different disks are also possible. The basic idea of the revolutionary CodeMeter concept is that licenses can be stored for many products at the same time, with full multi-vendor capabilities.

License Options include: Text (description of an entry), Unit Counter (i.e. number of runs or actually run time of a license), Activation Time (time the license is valid from), Expiration Time (time the license is valid until), Usage Period (starts at first use), Maintenance Period (according to release date), Feature Map (up to 32 modules or versions), License Quantity (concurrent use / floating network licenses), Protected Data / Extended Protected Data (128x256 bytes readonly data), Hidden Data (128x256 bytes only readable with password; usable as secret/private key), Secret Data (128x256 bytes non-readable, only usable as secret/private key), User Data (256 bytes, unsecured), Customer Owned License Information (256 bytes). Encryption algorithms used in firmware 4.50 with serial number 3-3440000 or higher: 128 and 256-bit AES, SHA-256, 1024, 2048 and 4096-bit RSA, 224-bit ECC. The integrated smart card chip fulfills the evaluation level EAL 5+ (Common Criteria certified) and contains a random number generator.

Technical Specifications

The CodeMeter technology is covered by US 7.145.297 and other patents.

- Interface: USB A-type connector, SuperSpeed USB - USB 3.2 compatible
- Communication protocol: MSD or Composite Device (MSD/HID) or HID only, Composite default.
- Flash memory configuration:
 - removable disk
 - private, encrypted disk
 - CD-ROM partition
 - secure, encrypted disk
- CodeMeter license memory:
 - Data retention: 10 years at room temperature.
 - Data Endurance:
 - Unit Counter: up to 500 million decrements.
 - Other license parameter: up to 10 million updates to each license.
- MLC flash memory:
 - Data retention: > 1 year at 2.5 TBW (terabyte written)
 - Data retention: > 3 years at 250 GBW (gigabyte written) at 55 °C
 - Performance: up to 40 MB write, up to 148 MB read

- Endurance: 3,000 P/E Cycles (Flash Cell Level)
- Power supply: 5V bus-powered, < 130/180 mA @ USB 2.0 / USB 3.2 Gen.1
- Operating and storage temperature:
 - -25° C ... +55° C, non-condensing
 - MTBF (Mean Time Between Failures): > 3 Million hours
- Case / Dimensions: 12.1 mm x 22 mm x 4.5 mm
- Weight: 3,1 g
- Warranty: 36 months

Certificates

The CmStick/BMC is tested and qualified in accordance with the following standards:

CE-Conformity | European Certificates

CmStick/BMC is fully compliant with all applicable European regulations.

- 2014/30/EU EMC: Report Bureau Veritas File CECFPE-WTW-P22020697, 2022-03-22
 - EN55032:2015+A11:2020 Class B, IEC/CISPR 32:2015+Cor1:2016
 - EN55035:2017+A11:2020, IEC/CISPR 35:2016
 - AS/NZS CISPR32:2015+AMD1:2020, Class B, IEC/CISPR32:2015+AMD1:2019
- All CmStick/BMC units are fully compliant with EU Directives 2011/65/EU (RoHS), 2015/863/EU (RoHS amendment), SJ/T 11364-2014 (China RoHS2), 2012/19/EU (WEEE), 1907/2006/EC (REACH), 207/2011/EU (PFOS -REACH Annex XVII), 1272/2013/EU (PAH-REACH Annex XVII), and 1272/2013/EU (DINP-REACH Annex XVII).

International Certificates

- 47 CFR FCC, Part 15, Subpart B (2017), class B: Report Bureau Veritas File CICFPE-WTW-P22020697, 2022-03-22
- ICES-003:2017 Issue 7, Class B
- VCCI 32-1 Class B ITE: Acceptance No. 2021067439
- KCC (South Korea): R-R-XWK-CmStick, 2018-08-08
- BSMI (Taiwan): D43250 RoHS
- ACMA (RCM): RCM20180091804-C, 2018-09-19
- EAC TP 037/2016: EA9C N RU Д-DE.PA01.B.25142/20

Other Certificates

- VDE License No. 129382
- C-UL-US listed I.T.E. Accessory 10 WB, E-File 211202, 2018-07-30

This encryption device is only for use with UL Listed PCs. It meets UL 60950-1 and CSA C22.2 No. 60950-1 Safety of Information Technology Equipment standards.

Ordering Information

- P/N 1011-03-562: CmStick/BMC 16 GB MLC-Flash bulk
- P/N 1011-03-563: CmStick/BMC 32 GB MLC-Flash bulk

Variants with different memory capacities, custom cases or laser engravings available on demand.

RoHS compliant
WEEE-Reg-No:
DE 90465365



D43250
RoHS



방송통신위원회

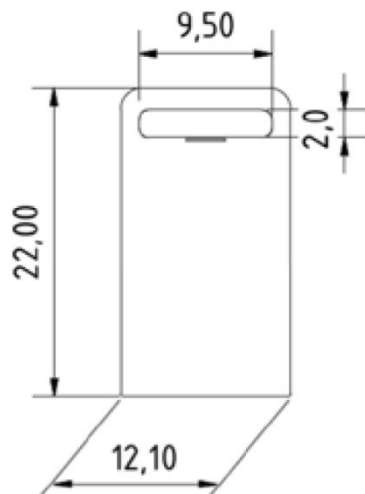


WIBU-SYSTEMS AG
Zimmerstrasse 5
76137 Karlsruhe
Germany
Tel: +49-721-93172-0
Fax: +49-721-93172-22
info@wibu.com
www.wibu.com

Technical Drawing

Article-No:

1011-03-56x



All dimensions in millimeters.

Subject to change without notice.

WIBU-SYSTEMS AG
Zimmerstrasse 5
76137 Karlsruhe
Germany
Tel: +49-721-93172-0
Fax: +49-721-93172-22
info@wibu.com
www.wibu.com