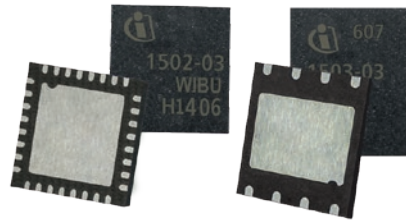


# CodeMeter ASIC



Article-No:

1 5 0 x - 0 3

## Description

The CodeMeter ASIC is the heart of the CodeMeter Digital Rights Management system. It contains a Smart Card Chip with 1MByte secure memory with a minimum of 328 kByte available for storing CodeMeter licenses.

Used algorithms in Firmware 2.x: 128 bit AES, SHA-256, 2048 bit RSA, 224 bit ECC.

The used SmartCard chip contains a random number generator according to FIPS140-1 and is certified according to EAL 5+ including a certified crypto library.

## CodeMeter ASIC 1502-03

CodeMeter ASIC 1502-03 with full CodeMeter functionality. With USB interface, based on Infineon SLE97CUSIFX1M00 smart card chip, I2C or SPI interface on request, 3,3V VCC, -25 °C...+85 °C operating temperature The chip uses a 5mm x 5mm chip size VQFN-32 package. This package is preferred.

## CodeMeter ASIC 1503-03

CodeMeter ASIC 1503-03 with full CodeMeter functionality. With USB interface, based on Infineon SLE97CUSIFX1M00 smart card chip, I2C interface on request, 3,3V VCC, - 25 °C...+85 °C operating temperature The chip uses a 5mm x 6mm chip size VQFN-8 package. This package is available on request only..

## CodeMeter ASIC 1504-03

CodeMeter ASIC 1504-03 with full CodeMeter functionality. With USB interface, based on Infineon SLM-97CUSIFX1M00 smart card chip, I2C or SPI interface on request, 3,3V VCC, -40 °C...+105 °C operating temperature The chip uses a 5mm x 5mm chip size VQFN-32 package. This package is preferred.

RoHS compliant  
WEEE-Reg-No:  
DE 90465365

## PIN Definition and Function

Pin Definition and Function	Package VQFN-8	Package VQFN-32
VSS (Ground)	1	17
SWP (Single Wire Protocol)	2	not available
I/O (Bidirectional Data Line, Open Drain, ISO I/O, I2C SDA)	3	19
DM (USB-)	4	20
DP (USB+)	5	5
CLK (Clock Input, ISO Clock, I22 SCL)	6	6
RST (Control Input, Reset Signal)	7	7
VDD (Supply Voltage)	8	8
GPIO0 (SPI DI)	not available	10
GPIO1 (SPI DO, LED red)	not available	11
GPIO2 (I2C SDA, SPI CLK)	not available	12
GPIO3 (I2C SCL, SPI CS#, LED green)	not available	13

All dimensions in millimeter. Subject to change without notice.

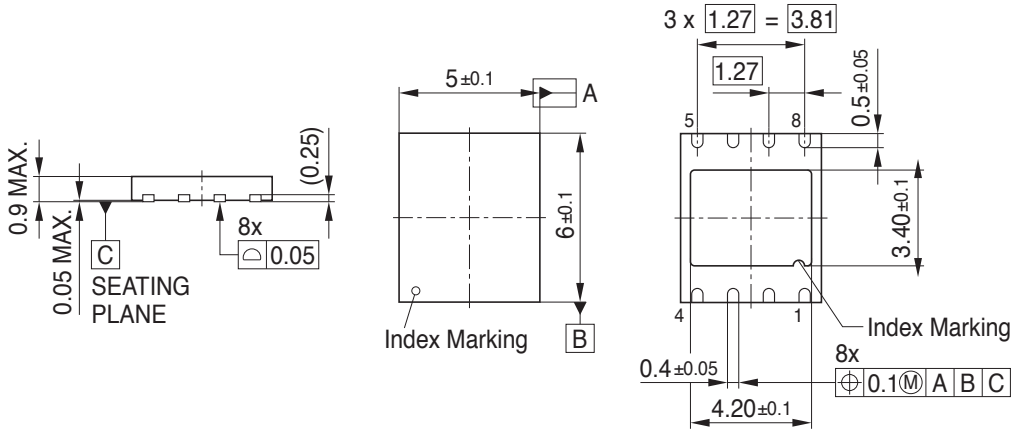
WIBU-SYSTEMS AG  
Rueppurrer Strasse 52-54  
D-76137 Karlsruhe  
Tel: +49-721-93172-0  
Fax: +49-721-93172-22  
info@wibu.com  
www.wibu.com

# Technical Drawing

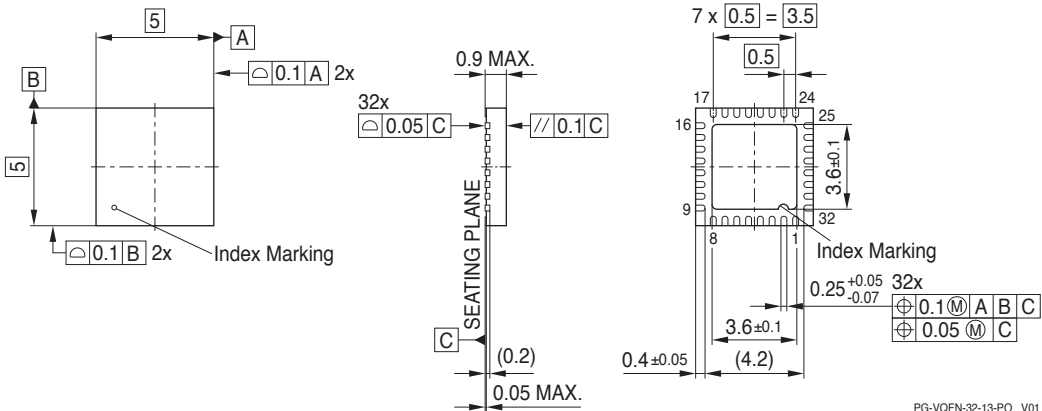
Article-No:

1 5 0 x - 0 3

RoHS compliant  
WEEE-Reg-No:  
DE 90465365



PG-VQFN-8-1,-2,-4-PO V04



PG-VQFN-32-13-PO V01

All dimensions in millimeter. Subject to change without notice.