

CmStick | CmStick/ME



Article-No:

1 0 0 1 - 0 3 - 1 x 0

1 6 1 0 - 5 0 1 8

Description

The CmStick is the heart of the CodeMeter Digital Rights Management system as USB device in a very small and noble case. It contains a Smart Card chip including a secure memory of about 328 kByte available for storing thousands of licenses. The basic idea of the revolutionary CodeMeter concept is that licenses can be stored for many products even from many different vendors at the same time.

License Options are at least: Text (description of an entry), Unit Counter (number of runs or actually run time of a license), Activation Time (the license is valid from), Expiration Time (the license is valid until), Usage Period (starts at first time), Maintenance Period (according to release date), Feature Map (up to 32 modules or versions), License Quantity (concurrent use / floating network licenses), Protected Data / Extended Protected Data (128x256 bytes read-only data), Hidden Data (128x256 bytes only readable with password; usable as secret/private key), Secret Data (128x256 bytes non-readable, only usable as secret/private key), User Data (unsecured 256 bytes), Customer Owned License Information (256 bytes).

Used algorithms: 128 bit AES, SHA-256, 2048 bit RSA, 224 bit ECC.

The used SmartCard chip contains a random number generator and fulfills EAL 5+ (Common Criteria certified). The CmStick has a green and a red LED.

Technical Specifications

The CodeMeter technology is covered by US 7.145.297 and other patents.

- Interface: Hi-Speed USB 2.0 certified, USB 1.1 compatible, Mass Storage Communication (MSC) or Human Interface Device (HID), HID default
- CodeMeter License memory:
 - Data retention: 10 years at room temperature
 - Data endurance:
 - Unit Counter: up to 500 million decrements
 - Other license parameter: up to 10 million updates to one license
- Power supply: 5 V bus-powered, < 20 mA (LEDs off, typical 6 mA), < 50 mA (both LEDs on)
- Temperature: -25° C ... + 85° C, non-condensing
- MTBF (Mean Time Between Failures): > 3 Million hours
- Case/Dimensions: Noble plastic case, 8 mm x 16 mm x 52,5 mm, Stick with protective cover: 12 mm x 25 mm x 88 mm
- Weight: CmStick 6 g, Cover 8 g
- Warranty: 36 months

Certificates

The CmStick is tested and qualified with the following standards:

CE-Conformity | European Certificates

CmStick is fully compliant with all applicable European regulations.

- EMC Report VDE File 2387800-3250-0003/200090, 2014-09-15:
 - EN55022:2010, IEC/CISPR 22:2008 modified
 - EN55024:2010, IEC/CISPR 24:2010
 - EN 55032:2012, AS/NZS CISPR22:2009 + A1:2010
- All CmStick are fully compliant according to IEC 62321:2008, EC Directives 2011/65/EC (RoHS), PFOS 1907/2006/EC§33 (REACH, SVHC) VDE Test Report 2387800-9021-0001/200091, 2014-12-05

International Certificates

- CB Test Certificate DE1-54874 CISPR 24(ED.2), 2014-11-20
- CB Test Certificate DE1-54888 CISPR 22(ED.6), 2014-11-20
- FCC 47 CFR, Part 15, Subpart B (2013), ETC File 14-12-MAS-150-01
- VCCI Class B ITE, ETC File 14-12-MAS-150-02
- KCC will follow (South Korea)

Other Certificates

- VDE License No. 129382
- C-UL-US listed I.T.E. Accessory 10 WB, E-File 211202

The encryption device is only for use with UL Listed PCs (low power system). Meets UL 60950-1 and CSA C22.2 No. 60950-1 Safety of Information Technology Equipment.

Ordering Information

P/N 1001-03-100: CmStick bulk
 P/N 1001-03-130: CmStick/ME bulk
 P/N 1610-5018: Cover with clamp | RAL 5018 n
 Variants with individual cases, colors or labels on request.

RoHS compliant
 WEEE-Reg-No:
 DE 90465365



All dimensions in millimeter. Subject to change without notice.

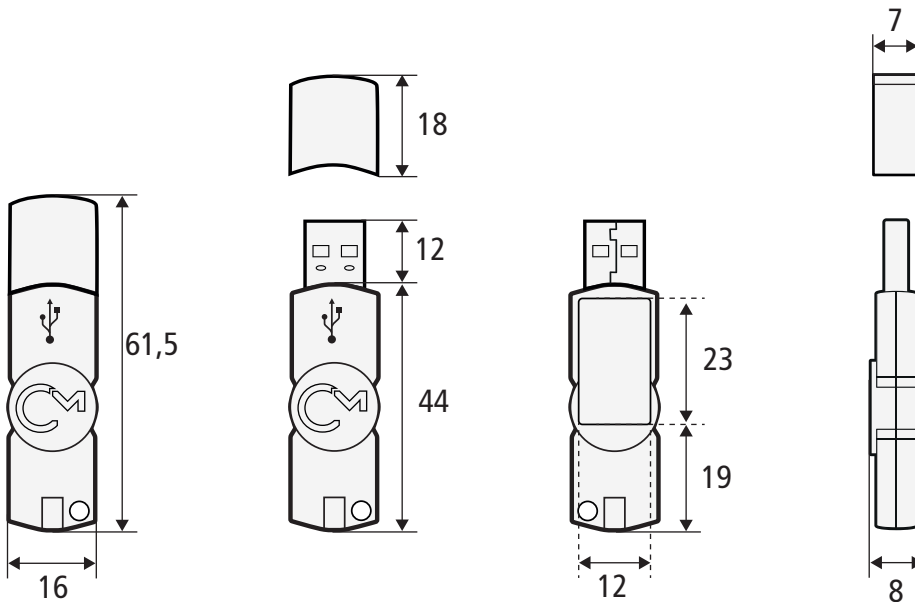
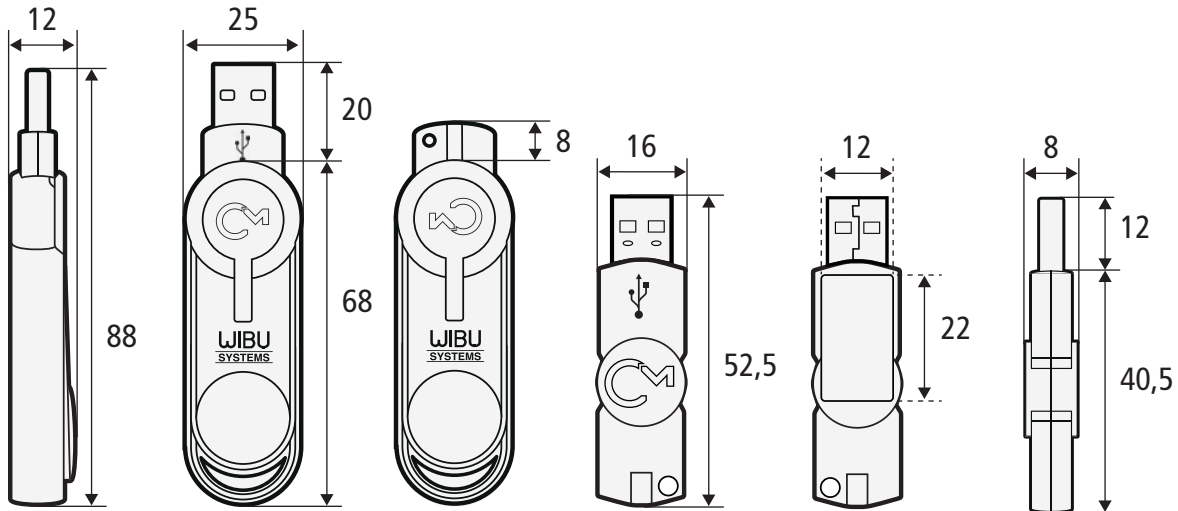
WIBU-SYSTEMS AG
 Rueppurrer Strasse 52-54
 D-76137 Karlsruhe
 Tel: +49-721-93172-0
 Fax: +49-721-93172-22
 info@wibu.com
 www.wibu.com

Technical Drawing

Article-No:

1 0 0 1 - 0 3 - 1 x 0

1 6 1 0 - 5 0 1 8



All dimensions in millimeter. Subject to change without notice.

WIBU-SYSTEMS AG
Rueppurrer Strasse 52-54
D-76137 Karlsruhe
Tel: +49-721-93172-0
Fax: +49-721-93172-22
info@wibu.com
www.wibu.com